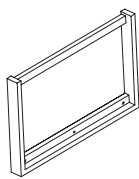


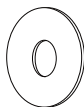
Ax1



Bx2



Cx6



Dx6



Ex6



Fx6



Gx6



Hx6

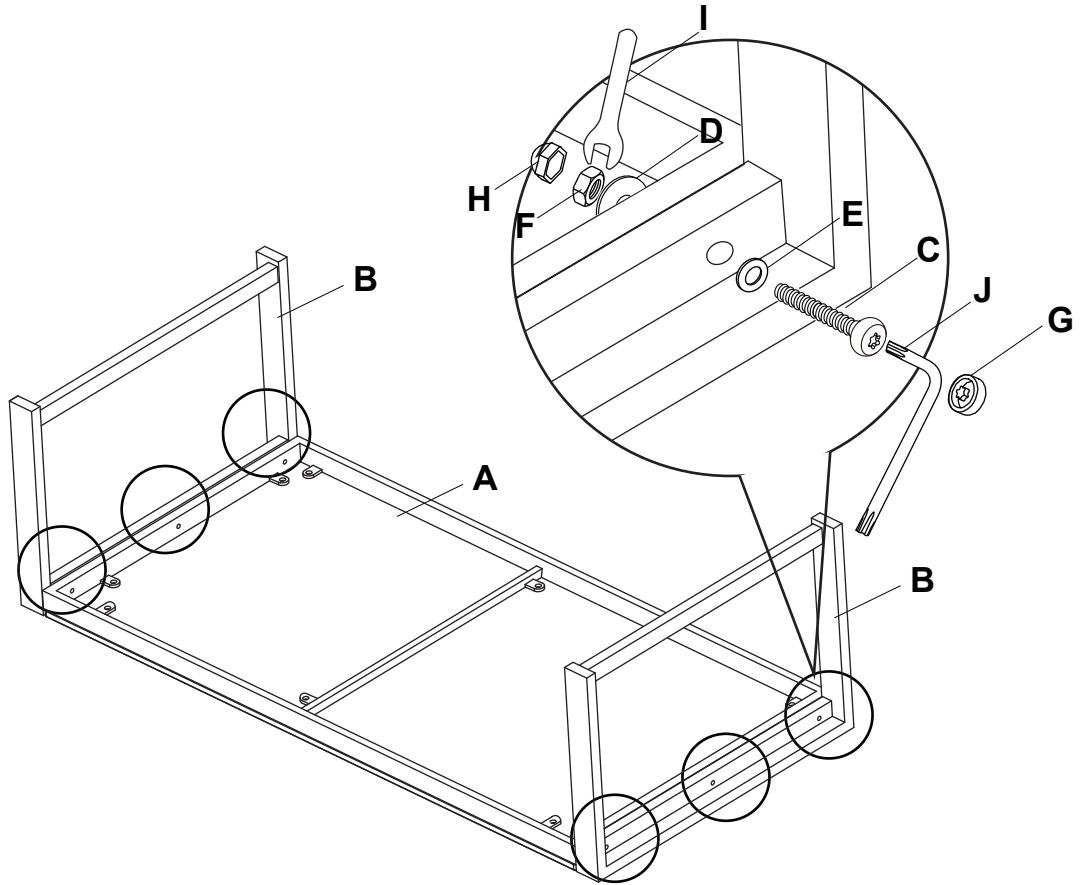


Ix1



Jx1

1



2

